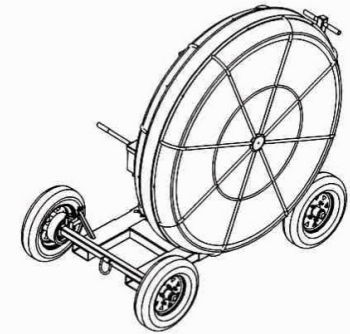
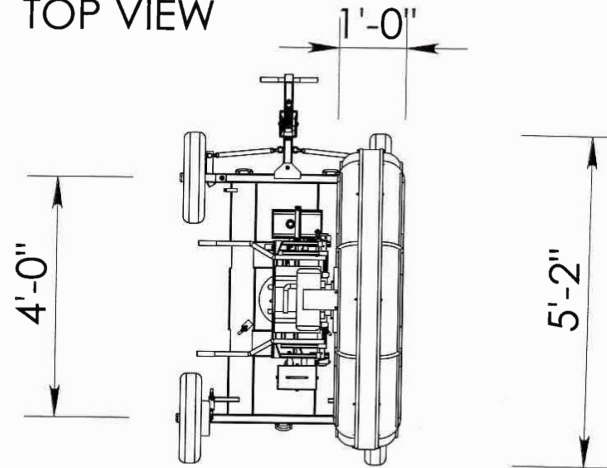


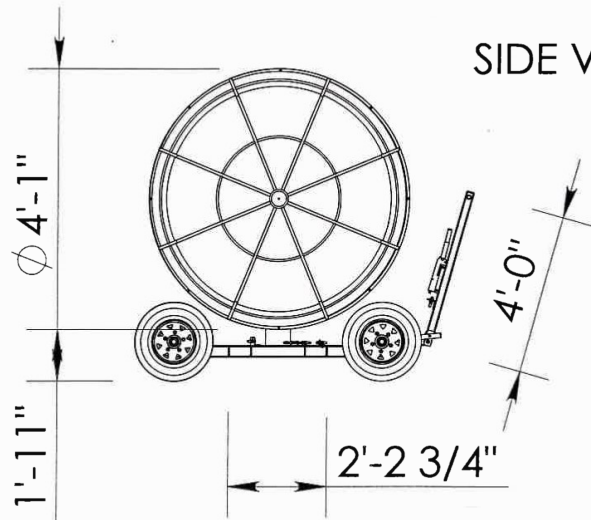
KOHLER

TOP VIEW

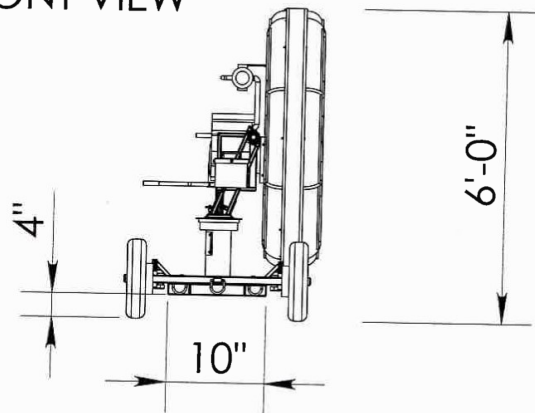


ISOMTRIC VIEW

SIDE VIEW



FRONT VIEW



KOHLER	
GROSS WEIGHT:	950 LBS.
ENGINE TYPE:	KOHLER GAS ENGINE
HP:	25 HP.
WIND SPEED:	EST. 35 MPH. TO 45 MPH.
REQUIREMENTS:	REQUIRES A QUALIFIED OPERATOR & MUST BE TIE DOWN VIA RATCHET STRAPS. (NOT PROVIDED) REMOTE CONTROL COMPATIBLE

J.E.M. F/X Inc.
SPECIAL EFFECTS DESIGN & FABRICATION

28255 Kelly Johnson parkway, Valencia CA.91355
(661) 702-1022 OFFICE

THIS DOCUMENT CONTAINS COPY RIGHTED MATERIAL AND CONFIDENTIAL TRADE SECRET INFORMATION BELONG EXCLUSIVELY TO JEM F/X INC. USE, DISCLOSURE, REPRODUCTION OR REPLICATION OF ANY OF THE INFORMATION CONTAINED HEREIN MAY RESULT IN LIABILITY UNDER APPLICABLE LAW. The data in this document is the property of ELIA P. POPOV. Any party accepting this document does so in confidence and agrees that it should not be disclosed in whole or in part nor disclosed to others without the consent of ELIA P. POPOV.

KOHLER

DRAWN BY:	SIZE	DATE:	DRAWING NO	REV
H. GARCIA	D	12/11/18	ITTER MAX 001	N/A
DESIGNED BY:	SCALE	FILE NO.	SHEET	
JEM F/X	NS		OF	